

**M12 MALE 0°**

PVC 12x0,14 black 0.6m

Male straight

M12, 12-pole

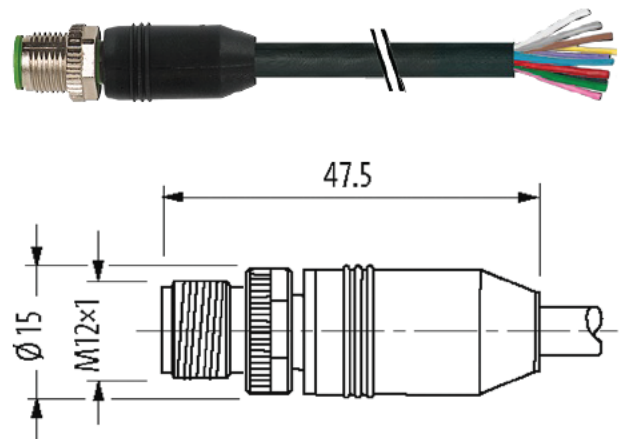
Art-No. 7005 - M12 L-te - (plastic hexagonal screw) on request

with cable sleeves

Plastic housings with good resistance against chemicals and oils.

The resistance to aggressive media should be individually tested for your application. Further details on request.

Further cable lengths on request.

**[Link to Product](#)****Illustration**

Product may differ from image

**Approvals**

cCSAus

\* on only for products with UL/CSA approved cable

**Form**

Form 900

**General data**

Standards D N EN 6 076 2 0 (M 2)

Pollution Degree 3

Temperature range 25 +85 °C depending on cable quality

**Cables**No./diameter of wires 2x 0.4 mm<sup>2</sup>

Wire isolation PVC (br bl wh gn pk ye bk gr rd vi grpk rdbl)

Material (jacket) PVC

Outer Ø 6.0 mm 5%

Bend radius (moving) 0x outer Ø

Temperature range (fixed) 30 +70 °C

Temperature range (mobile) 5 +70 °C

Cable identification 702

Cable Type (PVC)

Approval (cable) CE conform

Cable weight [g/m]	55 00
Material (wire)	Cu wire bare
Resistor (core)	max 38 Ω/km (20 °C)
Single wire Ø (core)	0 mm
Construction (core)	8× 0 mm (multi strand wire class 6)
Diameter (core)	2× 0.4 mm <sup>2</sup>
AWG	similar to AWG 26
Material (wire isolation)	PVC
Material property (wire isolation)	CFC cadmium silicone and lead free
Shore hardness (wire isolation)	85 5 A
Wire Ø incl isolation	0 mm 5%
Color/numbering of wires	br rd gr bk ye pk gn wh bl rdbl grpk vi
Stranding combination	Twisted wires rdbl grpk and vi over it all other wires are twisted
Shield	no
Material (jacket)	PVC
Material property (jacket)	CFC cadmium silicone and lead free matt low adhesion machine easy to process abrasion resistant
Shore hardness (jacket)	75 5 A
Outer Ø (jacket)	6.0 mm 5%
Color (jacket)	black
chemical resistance	good resistance to oil gasoline and chemicals
Nominal voltage	300 V
Test voltage	500 V AC
Temperature range (fixed)	30 +70 °C
Temperature range (mobile)	5 +70 °C
Bend radius (moving)	0× outer Ø
Jacket Color	black

#### Technical Data

Operating voltage	max 30 V AC/DC
Rated surge voltage	0.8 kV
Operating current per contact	max 5 A
Material group	EC 60664 category
Coding	A coded
Locking of ports	Screw thread (M 2× mm) recommended torque 0.6 Nm self securing
Compression gland	M 2 (SW 3)
Protection	P65 P66K P67 inserted and tightened (EN 60529)
Locking material	Zinc die casting nickel plated
Material	PUR
suitable for corrugated tube (internal Ø)	without

#### Commercial data

country of origin	DE
customs tariff number	85444290
EAN	4048879 89439
eClass	272792 8
Packaging unit	

#### Sketch

1	■	brown
2	■	blue
3	■	white
4	■	green
5	■	pink
6	■	yellow
7	■	black
8	■	gray
9	■	red
10	■	violet
11	■	gray/pink
12	■	red/blue

Product may differ from image